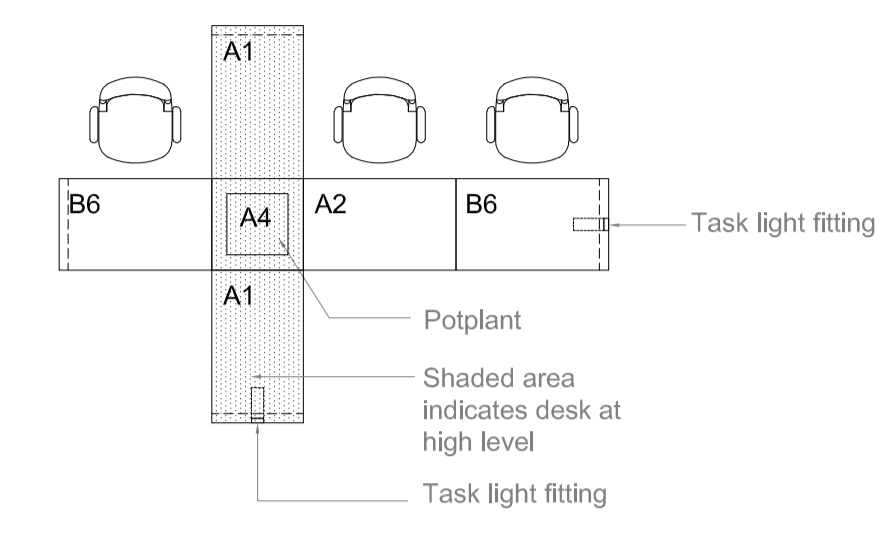
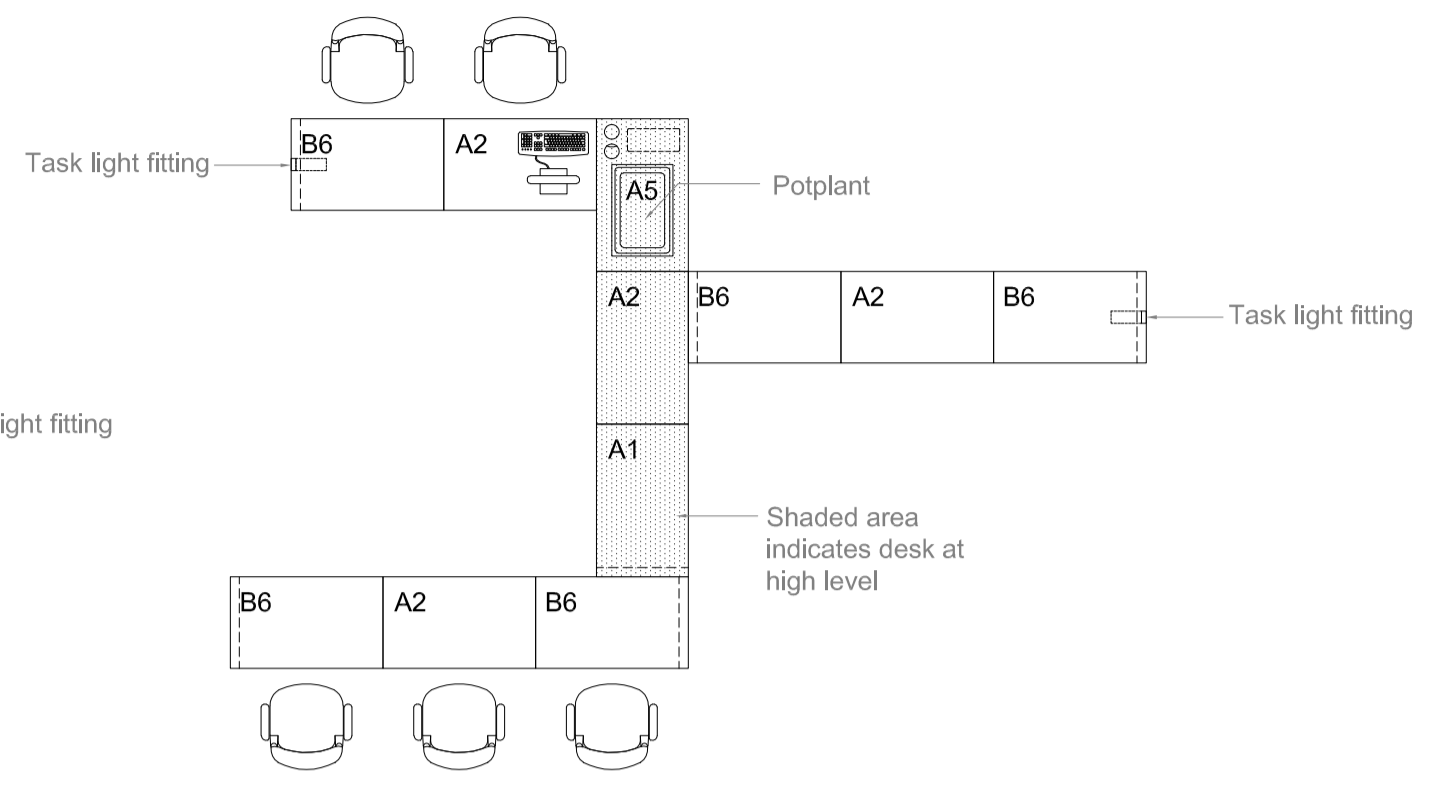


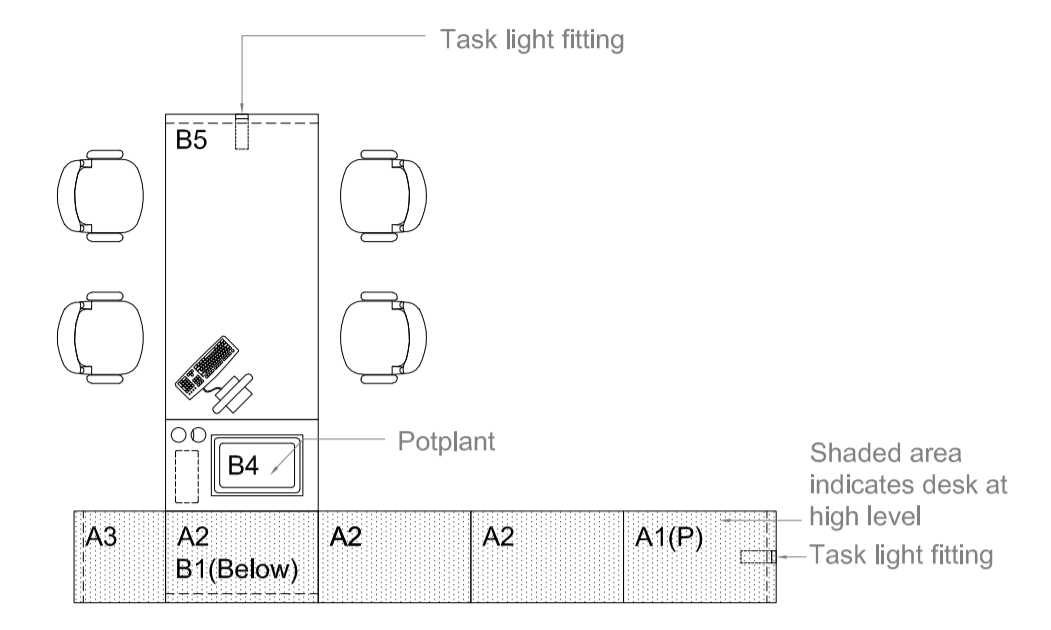
**2 Plan - Typical**  
Scale 1:50



**3 Plan**  
Scale 1:50

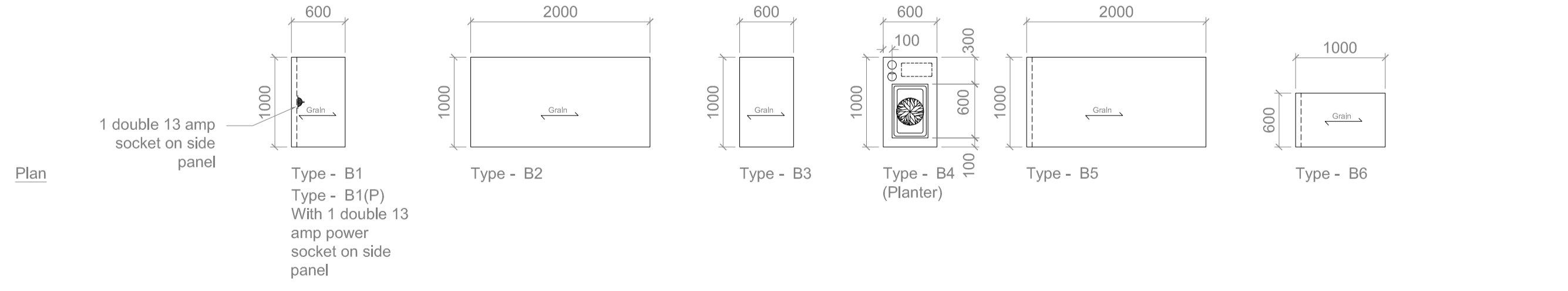
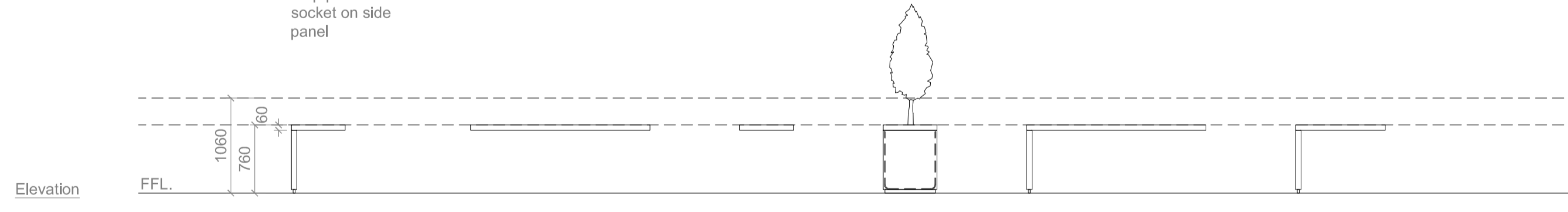
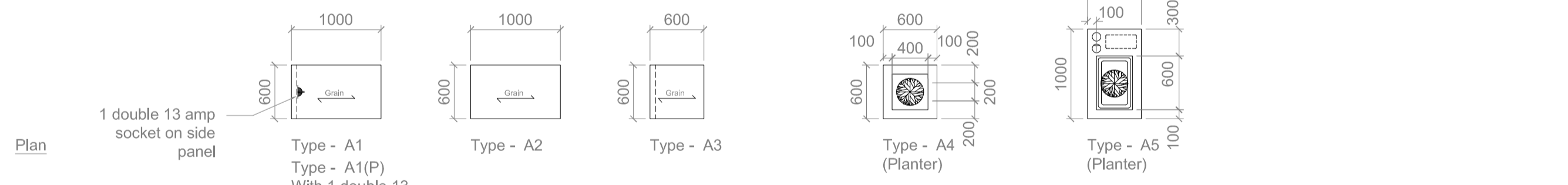
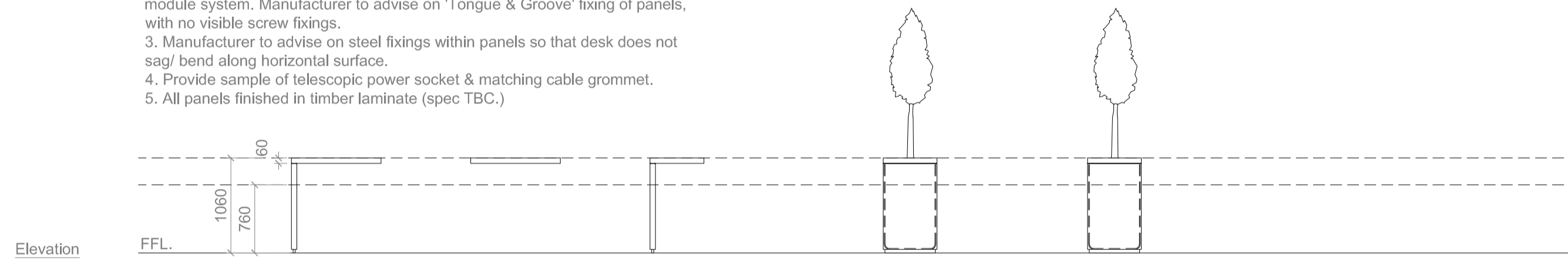


**4 Plan**  
Scale 1:50

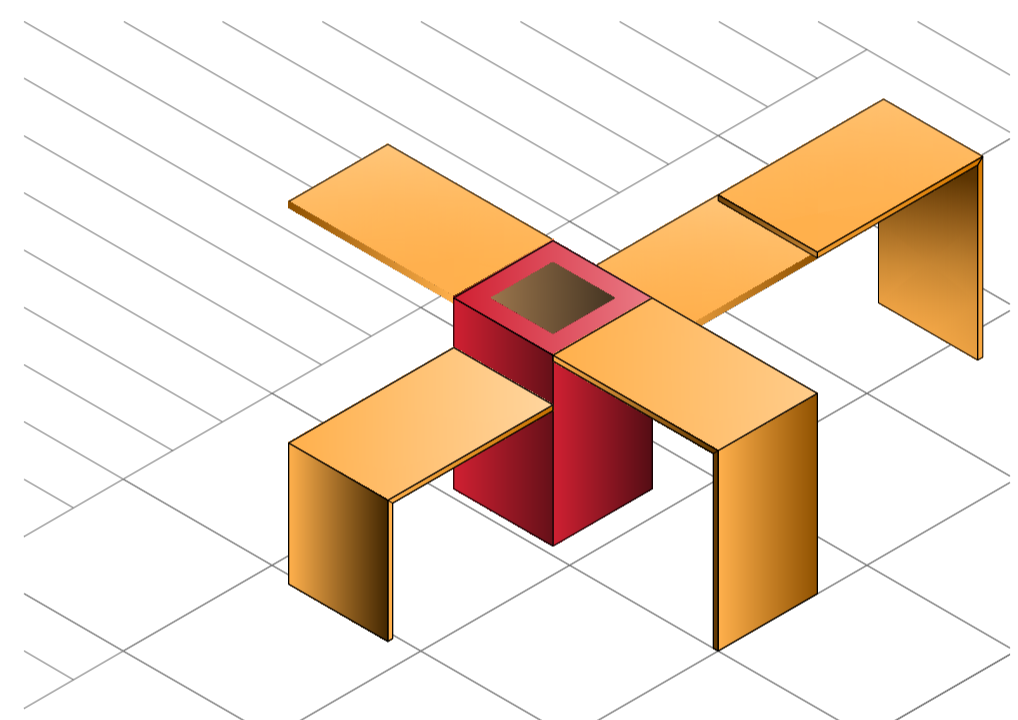


**5 Plan**  
Scale 1:50

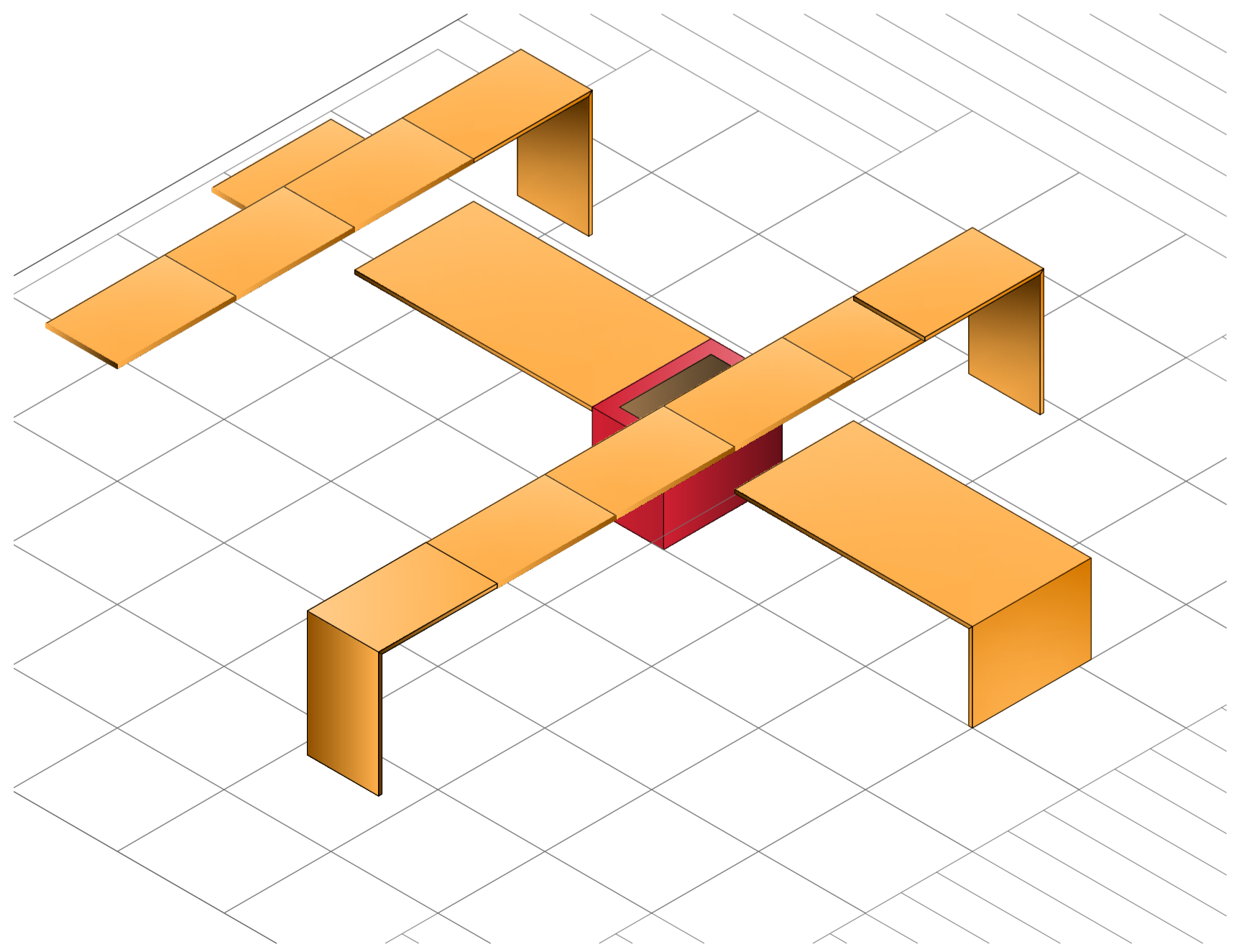
- Notes:
- For handed panels refer to elevations.
  - All panels to be manufactured so that the system is fully demountable & a module system. Manufacturer to advise on 'Tongue & Groove' fixing of panels, with no visible screw fixings.
  - Manufacturer to advise on steel fixings within panels so that desk does not sag/ bend along horizontal surface.
  - Provide sample of telescopic power socket & matching cable grommet.
  - All panels finished in timber laminate (spec TBC.)



**1 Plan / Elevation - Desk Modules**  
Scale 1:50



**B 3D Isometric Sketch (Plan 3 Above)**  
Scale : NTS



**A 3D Isometric Sketch (Plan 2 Above)**  
Scale : NTS

Note:  
-

Key Plan

**GMW Architects**



PO Box 1613 239 Kensington High Street  
London W6 6SL www.gmw-architects.com  
T+44 (0)20 7837 8020 F+44 (0)20 7837 5815

Project  
**Network Rail  
National Centre  
Milton Keynes**

Drawing Title  
**Ground Floor - B1 / B3 / B4  
Plans, Elevations & 3D View  
Touchdown Desk**

© GMW Architects Do not remove this panel from the drawing  
No dimensions to be scaled from this drawing  
Report all errors and omissions to the Architect  
Dimensions to be checked on site before fabrication

North	Sheet	Scale	Drawn
	A1	Varies	VM
	Date		Checked
	01/03/10		LDO
Project no.	Drawing no.	Revision	
<b>3996</b>	<b>858</b>	<b>T1</b>	